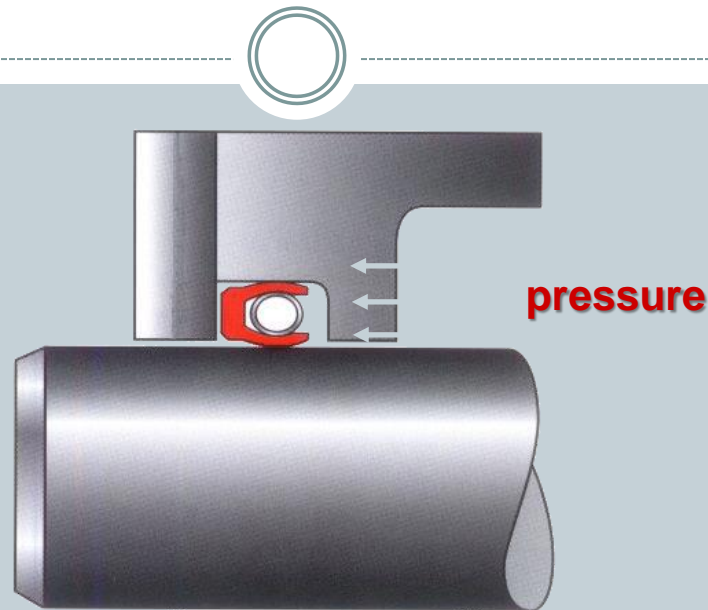


Seals design (temp. range -196°C to 200°C)

Primary Static
& Dynamic Lip Seal
spring energized gasket



Fire Safe Seals Graphite



Metallic materials and seals are selected to maximise valve performance at the specified temperatures. Extended bonnet is provided for the lowest temperature. Special spring energised lip seals are used to guarantee fugitive emission control even on gas service at -196°C.

