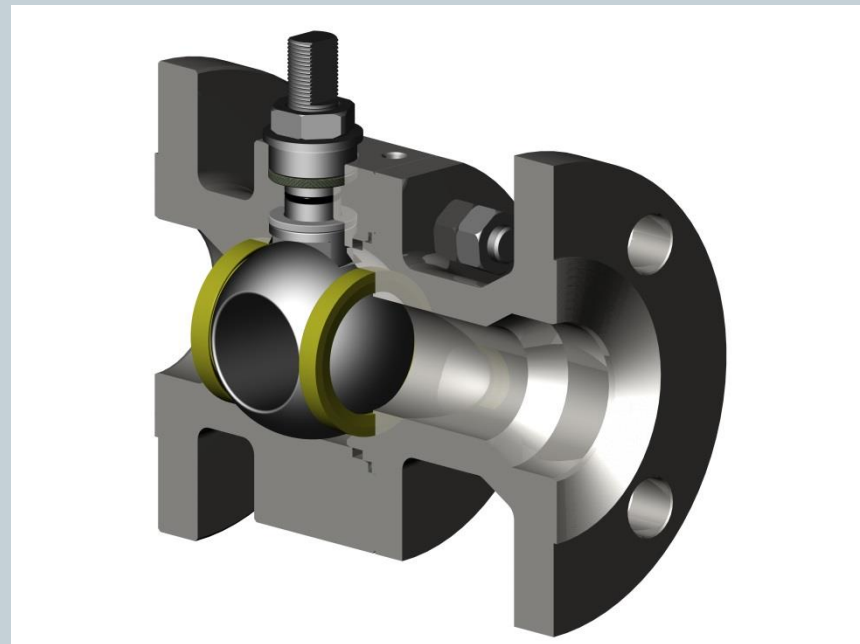


FB = Floating split body

- Two or three pieces body.
- Full and reduce bore.
- Valve according to BS 5351– ASME B16.34 - ASME VIII Div.1.
- Automatic self relieving seat design.
- Soft and metal seated version.
- Anti blow-out stem design system.
- Face to face according to ASME B16.10.
- Antistatic device according to BS 5351.
- Flanges according to ASME B16.5.
- BW ends in acc. to ASME B16.25.
- NPT ends in acc. to ASME B1.20.1.
- SW ends in acc. with ASME B16.11.
- Fire safe according to BS-6755 pt.2°/API6FA



EMMECI Valves can be furnish with manual operator : lever/hand wheel/gearbox/
bare stem or complete with actuated operator.